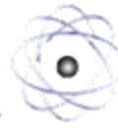


TITAN® E100HW

ENEDIVSA
Acondicionamiento de Energía



100,000 AMP PANEL PROTECTION

EFI Titan E100HW is a multi-phase surge suppressor and noise filter in a compact and affordable package. The compact design of the Titan E100HW allows protection to be installed adjacent to power panels or directly on sensitive equipment to protect against damage and disruption in the worst electrical conditions.

Compliant with UL 1449 2nd Edition requirements dated February 9, 2007.



APPLICATIONS

The Titan E100HW is a versatile and compact surge protection device designed to provide high quality protection for a wide variety of commercial, industrial or institutional applications. The Titan E100HW is excellent as a component in a suppression network or as a standalone protector.

SUPERIOR PERFORMANCE

The E100HW utilizes a high energy suppression circuit that provides 100,000 peak amps of surge current rating per phase along with EFI's sine wave tracking circuitry that provides up to -30 dB of noise attenuation (wye configurations only).

The E100HW units provide reliable operation by incorporating EFI's latest developments. Each surge suppression mode is individually fused and the products are contained in a Type NEMA 4X housing. The E100HW units have been tested and listed by UL and cUL.

EASY INSTALLATION

The EFI Titan E100HW mounts adjacent to the panel through a direct nipped connection. The E100HW allows flexible mounting near the circuit breaker to be used in order to reduce lead lengths and improve protection.

FEATURES	ADVANTAGES	BENEFITS
COMPACT DESIGN	Easily mounts even in restricted spaces	Improves quality of protection
100,000 PEAK AMP CAPACITY	Provides protection against high energy lightning strikes	Keeps valuable electronics safe even in the worst electrical conditions
SINE WAVE TRACKER™ CIRCUITRY	Suppresses transients closer to the sine wave	Improves protection to the equipment
LED STATUS INDICATION	Provides visual indication of the suppressor status	Allows immediate response if suppressor is damaged
SUPPRESSION STATUS ALARM	Provides immediate alarm if suppression is ever damaged	Prevents operating without protection
THERMAL FUSE	Thermal fuse capable of extreme surge currents	Provides reliable operation and prevents dangerous thermal run-a-way when MOV's are damaged

TITAN® E100HW Product Specifications



PERFORMANCE

Max Surge Current 100 kA/phase
 Short Circuit Current Rating 22 kA,
 600 V Maximum
 EMI/RFI Noise Rejection Up to -30 dB
 Sine Wave Tracking Yes
 (wye units only)

MECHANICAL DESCRIPTION

Dimensions See images
 Housing Ratings NEMA 4X
 Product Weight 6.7 lb
 Connection Method #10 AWG Wires
 (22 kA SCCR)
 Mounting Method Closed Nippled
 Thermal Fusing Yes
 Operating Frequency 50/60 Hz
 Storage Temperature -40° to +160° F
 (-40° to +70° C)
 Operating Temperature -40° to +140° F
 (-40° to +60° C)
 Operating Altitude Sea Level to 12,000 ft.
 (3,658 m.)

DIAGNOSTICS

Standard Green Status LED,
 Dry Contacts, Audible Alarm

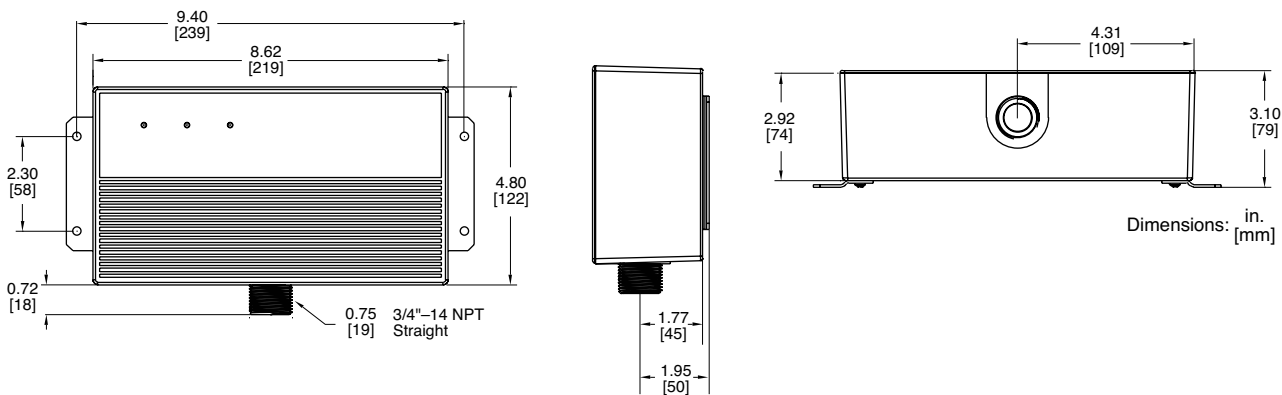
SAFETY APPROVALS

cULus 1449 2nd Edition, 2007 requirements,
 cUL, UL 1283 (wye products only), CSA
 C22.2 No.8- M1986, IEEE C62.41.1-2002,
 C62.41.2-2002, C62.45-2002

WARRANTY

10 years on Product

E100HW



TITAN E100HW SYSTEM DESCRIPTION						UL 1449 2-nd EDITION			
	Service Voltage	Configuration	Model Number	SCCR	MCOV	L-N	L-G	N-G	L-L
100kA/Phase	120/240 wye (Single Phase)	1Ph. Wye 3-wire +G	E100HW120/240Y	22 kA	150	400	500	400	800
	120/208 wye	3Ph. Wye 4-wire +G	E100HW120/208Y	22 kA	150	400	500	400	800
	220/380 wye	3Ph. Wye 4-wire +G	E100HW220/380Y	22 kA	320	900	900	900	1800
	240/120 Delta split phase	3Ph. Wye 4-wire +G 'High Leg'	E100HW240/120D	22 kA	275/150	500	500	500	800
	240 Delta	3Ph. Delta 3-wire	E100HW240D	22 kA	300	N/A	N/A	N/A	800
	277/480 wye	3Ph. Wye 4-wire +G	E100HW277/480Y	22 kA	320	900	900	900	1800
	347/600 wye	3Ph. Wye 4-wire +G	E100HW347/600Y	22 kA	420	1200	1200	1200	2500
	480 Delta	3Ph. Delta 3-wire	E100HW480D	22 kA	640	N/A	N/A	N/A	1800
	600 Delta	3Ph. Delta 3-wire	E100HW600D	22 kA	840	N/A	N/A	N/A	2500

NOTE: Model numbers with a "Y" after the voltage indicator number designates a Wye configuration.
 Model numbers with a "D" after the voltage indicator number designates a Delta configuration.
 Short Circuit Current Rating. E100HW is suitable for use on a circuit capable of delivering not more than 22,000 rms symmetrical amperes. 600 Volts Maximum, when protected by the class CC fuses included with the unit.

ENEDIVSA
 Telefono : 80 04 26 22 Fax Directo : 80 04 26 23
 Correo electronico:ventas@enedivsa.com
 www.enedivsa.com