

## 40,000 AMP PANEL PROTECTION

The Titan EHW Surge Protection Devices (SPD) are an economical method of protecting electronic equipment in light commercial, light industrial and residential environments. Their light weight and compact design allow them to be installed on a service panel or directly to the electronic equipment requiring protection.

Compliant with UL 1449 2nd Edition requirements dated February 9, 2007.



## APPLICATIONS

Initially designed and manufactured for installation on branch panels and electronic equipment, the EHW units are installed on main service panels in residential, light commercial and light industrial applications. They are an excellent addition to an EFI Electronics cascaded suppression filter system when installed at the branch panel and/or the load.

## SUPERIOR PERFORMANCE

The EHW units incorporate a hybrid Sine Wave Tracker™ suppression circuit capable of delivering over 40,000 amps of surge current rating. The EHW units provide protection in modes L-N, L-L, L-G, and N-G along with noise filtration up to -35 dB on wye configuration models.

The EHW units provide reliable operation by incorporating EFI's latest developments. Each surge suppression mode is individually fused and the products are contained in a Type 1 metallic housing. The EHW units have been tested and listed by UL and cUL.

## EASY INSTALLATION

The EHW units mount directly to the panel through a direct nipped connection. They allow easy mounting near the circuit breaker in order to reduce connecting lead lengths and improve performance.

FEATURES	ADVANTAGES	BENEFITS
COMPACT DESIGN	Easily and quickly mounts to electronic equipment or power panels	Improves quality of protection
BLUE STATUS LED	Continuous monitoring of SPD status	Customer has the assurance of protection at all times
40,000 PEAK AMP SURGE CURRENT CAPACITY	Provides protection against high energy lightning strikes	Keeps valuable electronic equipment safe from the most damaging surge conditions
22 KA SCCR RATING	Can be installed on most electrical systems and branch panels	Provides surge protection on systems with up to 22 kA of short circuit current

# TITAN<sup>®</sup> EHW Product Specifications



## PERFORMANCE

Maximum Surge Current	40 kA/Phase
Short Circuit Current Rating	22 kA
Sine Wave Tracking Circuit	Yes
EMI/RFI Noise Rejection	-35 dB (wye units)
Response Time	< 5 ns

## MECHANICAL DESCRIPTION

Dimensions	6.30" x 4.25" x 2.25"
Enclosure	Type 1, metal
Operating Temperature	-40° to 140° F (-40° to 60 C)
Storage Temperature	-40 to 185 F (-40 to 85 C)
Altitude	Sea level to 12,000 feet (3,658 meters)
Weight	4.8 lbs (2.18 kg)
Connecting Wire Size	#10 AWG (5.26 sq mm)
Internal Fusing	Yes

## DIAGNOSTICS

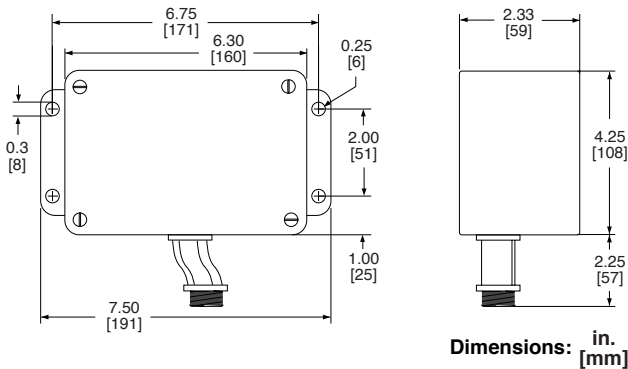
Blue Status LED - Suppression Status Per Phase

## SAFETY APPROVALS

UL 1449 2nd Edition, 2007 requirements, cUL, UL 1283 (wye products only), CSA C22.2 No.8- M1986, IEEE C62.41.1-2002, C62.41.2-2002, C62.45-2002

## WARRANTY

10 years on Product



TITAN EHW SYSTEM DESCRIPTION					UL 1449 2-nd EDITION				
40kA/Phase	Service Voltage	Configuration	Model Number	SCCR	MCOV	L-N	L-G	N-G	L-L
	120/240 wye (Single Phase)	1Ph. Wye 3-wire +G	EHW120/240Y	22 kA	150	400	800	400	800
	120/208 wye	3Ph. Wye 4-wire +G	EHW120/208Y	22 kA	150	400	800	400	800
	220/380 wye	3Ph. Wye 4-wire +G	EHW220/380Y	22 kA	320	900	1800	900	1800
	277/480 wye	3Ph. Wye 4-wire +G	EHW277/480Y	22 kA	320	900	1800	900	1800
	347/600 wye	3Ph. Wye 4-wire +G	EHW347/600Y	22 kA	420	1200	2500	1000	2500
	120/240 wye (Single Phase)	1Ph. Wye 3-wire +G	EHW120/240S-Y	22 kA	150	400	800	400	800
	120/208 wye	3Ph. Wye 4-wire +G	EHW120/208S-Y	22 kA	150	400	800	400	800
	220/380 wye	3Ph. Wye 4-wire +G	EHW220/380S-Y	22 kA	320	900	1800	900	1800
	277/480 wye	3Ph. Wye 4-wire +G	EHW277/480S-Y	22 kA	320	900	1800	900	1800
	347/600 wye	3Ph. Wye 4-wire +G	EHW347/600S-Y	22 kA	420	1200	2500	1200	2500
	240 Delta	3Ph. Delta 3-wire	EHW240S-D	22 kA	300	NA	NA	NA	800
	480 Delta	3Ph. Delta 3-wire	EHW480S-D	22 kA	640	NA	NA	NA	1800

NOTE: Model numbers with a "Y" after the voltage indicator number designate a Wye configuration.  
 Model numbers with an "S-Y" after the voltage indicator number designate Sine Wave Tracking with a Wye configuration.  
 Model numbers with an "S-D" after the voltage indicator number designate Sine Wave Tracking with a Delta configuration.  
 Short Circuit Current Rating. EHW is suitable for use on a circuit capable of delivering not more than 22,000 rms symmetrical amperes.  
 600 Volts Maximum, when protected by the class CC fuses included with the unit.

**ENEDIVSA**  
 Telefono : 80 04 26 22 Fax Directo : 80 04 26 23  
 Correo electronico:ventas@enedivsa.com  
 www.enedivsa.com